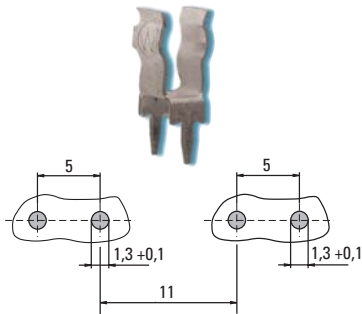
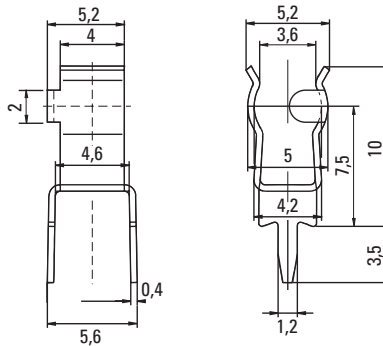


Clip / No. 520
lead free



PC Mount, 5x20mm Fuses



Specifications

Mounting
PC Board, 5mm pin spacing
Solder pins 0.4 x 1.2mm

Materials
Clip: Copper alloy
Solderable, tinned

Electrical Data (23°C)
Rated Voltage: 250V
Max. Current/Power: 6.3A/2.5W

Minimum Cross Section
Conducting path - 0.2mm²

Solderability
235°C, 2 sec. (IEC 60068-2-20)

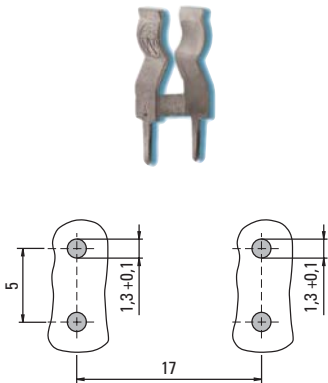
Soldering Heat Resistance
260°C, 10 sec. (IEC 60068-2-20)

Unit Weight
0.4g

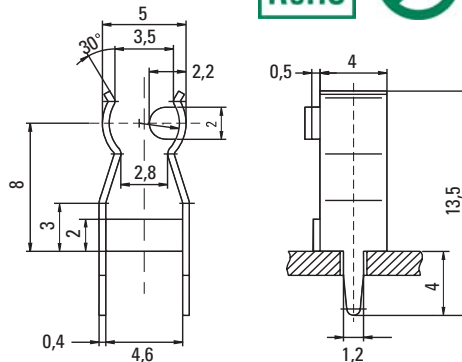
Packaging
Bulk (5000 pcs.)

Order Number
Clip No. 520 0000 100

Clip / No. 521
lead free



PC Mount, 5x20mm Fuses
90° Pin Shift



Mounting
PC Board, 5mm pin spacing
Solder pins 0.4 x 1.2mm

Materials
Clip: Copper alloy
Solderable, tinned

Electrical Data (23°C)
Rated Voltage: 250V
Max. Current/Power: 6.3A/2.5W

Minimum Cross Section
Conducting path - 0.2mm²

Solderability
235°C, 2 sec. (IEC 60068-2-20)

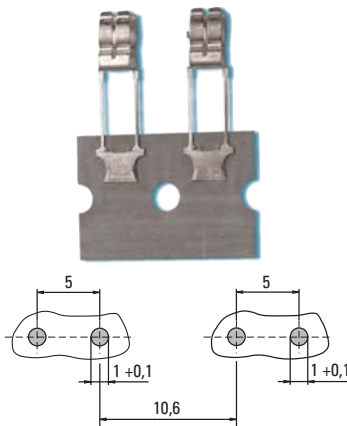
Soldering Heat Resistance
260°C, 10 sec. (IEC 60068-2-20)

Unit Weight
0.4g

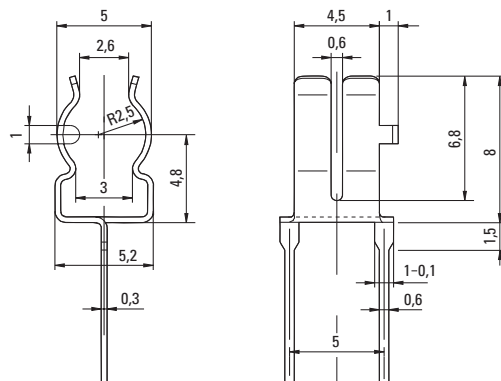
Packaging
Bulk (5000 pcs.)

Order Number
Clip No. 521 0000 100

Clip / No. 519
lead free



PC Mount, 5x20mm Fuses
Taped



Mounting
PC Board, 5mm pin spacing
Solder pins 0.3 x 0.5mm

Materials
Clip: Copper alloy
Solderable, tinned

Electrical Data (23°C)
Rated Voltage: 250V
Max. Current/Power: 2.5A/1W

Minimum Cross Section
Conducting path - 0.2mm²

Solderability
235°C, 2 sec. (IEC 60068-2-20)

Soldering Heat Resistance
260°C, 10 sec. (IEC 60068-2-20)

Unit Weight
0.5g

Packaging
Tape/Reel (1000 pcs.)

Order Number
Clip No. 519 0000 100

Note: 1.00 means the number one with two decimal places. 1.000 means the number one thousand.

Specifications are subject to change without notice.